



VACUUM SEALER SU-416

Tabletop model. 16 m³/h. 420 mm.



FOOD PRESERVATION AND SOUS-VIDE
VACUUM PACKING MACHINES - "SENSOR ULTRA" LINE



FEATURES AND BENEFITS

- ✓ Powered by Busch.
- ✓ Vacuum controlled by sensor.
- ✓ Vacuum PLUS.
- ✓ LCD colour screen: all information at a glance.
- ✓ Backlit touch keyboard.
- ✓ Programmable: 25-programme memory. Blocking option.
- ✓ "Pause" button.
- ✓ Phased vacuum programme.
- ✓ Detection of the evaporation of liquids.
- ✓ Double seal.
- ✓ Cordless sealing bar.
- ✓ Progressive decompression.
- ✓ Vac-Norm ready with Automatic decompression.
- ✓ Stainless steel body and chamber. Deep-drawn chamber.
- ✓ Damped transparent lid of high durability polycarbonate.
- ✓ Dry-oil programme for drying the pump.
- ✓ Working hours counter for oil changes.
- ✓ Safety system with protection against vacuum failure.

SALES DESCRIPTION

- 420 mm. sealing bar.
- 16 m³/h Busch vacuum pump.
- Vacuum controlled by sensor.

INCLUDES

- ✓ BUSCH pump.
- ✓ Sensor Controls.
- ✓ 25 programmable settings.
- ✓ Vacuum PLUS: up to 10 seconds of extra vacuum pull.
- ✓ Soft air function.
- ✓ Clear methacrylate lid.
- ✓ "PAUSE" function.
- ✓ Liquid detection system.
- ✓ Dry oil cycle.
- ✓ NSF Approved.
- ✓ Filling plate.

ACCESSORIES

- Bag cutting kits
- Filling plates
- Liquid insert plates
- Vac-norm external vacuum kits
- Vac-norm containers
- Smooth bags for vacuum packing
- Trolley for vacuum packing machines
- Thermal labels for CG2 / RB printer
- RB Desktop printer for SU vacuum packing machines *
- Thermal transfer labels for RB printer



sammic | www.sammic.com
Food Service Equipment Manufacturer

Polígono Basarte, 1. phone +34 943 15 72 36
20720 Azkoitia, Spain sales@sammic.com



Project	Date
Item	Qty
Approved	

product sheet
updated 20/01/2020



VACUUM SEALER SU-416

Tabletop model. 16 m³/h. 420 mm.



SPECIFICATIONS

- Pump capacity: 16 m³/h
- Pump capacity (60 Hz): 19 m³/h
- Bar length: 420 mm
- Total loading: -- W
- Vacuum pressure (maximum): 2 mbar

Internal dimensions

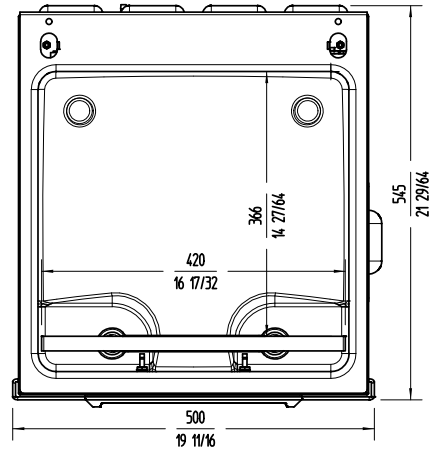
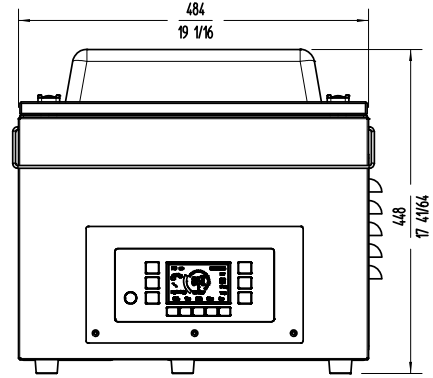
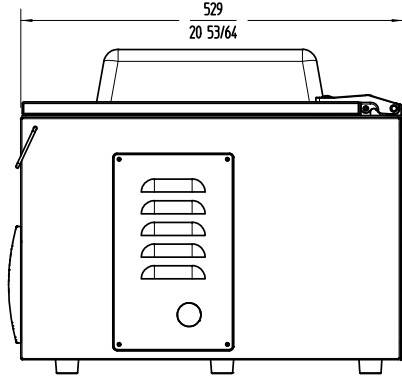
- ✓ Width: 430 mm
- ✓ Depth: 415 mm
- ✓ Height: 180 mm

External dimensions (WxDxH)

- ✓ Width: 484 mm
- ✓ Depth: 529 mm
- ✓ Height: 448 mm
- Net weight: 50.8 Kg
- Noise level (1m.): 75 dB(A)
- Background noise: 32 dB(A)

Crated dimensions

- 600 x 600 x 610 mm
- Gross weight: 56.8 Kg.



AVAILABLE MODELS

1140760	Vacuum packing machine SU-416 230/50-60/1
1140761	Vacuum packing machine SU-416G 230/50-60/1
1140762	Vacuum packing machine SU-416P 230/50-60/1
1140763	Vacuum packing machine SU-416GP 230/50-60/1
1140765	Vacuum packing machine SU-416 120/50-60/1
1140766	Vacuum packing machine SU-416G 120/50-60/1
1140767	Vacuum packing machine SU-416P 120/50-60/1
1140768	Vacuum packing machine SU-416GP 120/50-60/1
1140769	Vacuum packing machine SU-416G+ 120/50-60/1
1140770	Vacuum packing machine SU-416GP+ 120/50-60/1

* Ask for special versions availability

sammic | www.sammic.com
Food Service Equipment Manufacturer

Polígono Basarte, 1. phone +34 943 15 72 36
 20720 Azkoitia, Spain sales@sammic.com



Project	Date
Item	Qty
Approved	

FOOD PRESERVATION AND SOUS-VIDE
 VACUUM PACKING MACHINES - "SENSOR ULTRA" LINE

product sheet
 updated 20/01/2020